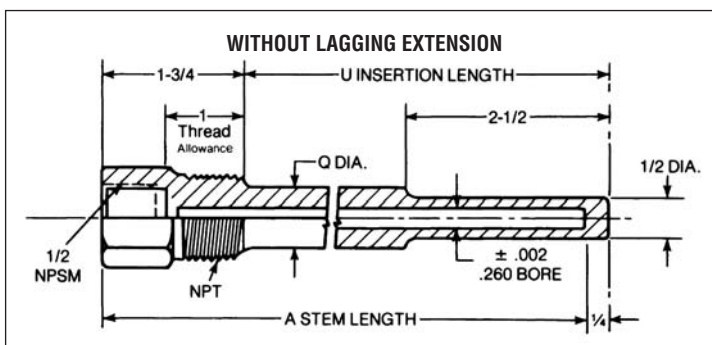




Standard Threaded Thermowells

FOR INDUSTRIAL BIMETAL THERMOMETERS WITH .250" DIAMETER ELEMENTS

- .385" bore available for use with instruments with .375" diameter elements
- All Weksler standard thermowells are bored from solid bar stock



3/4" NPT – CATALOG NUMBERS

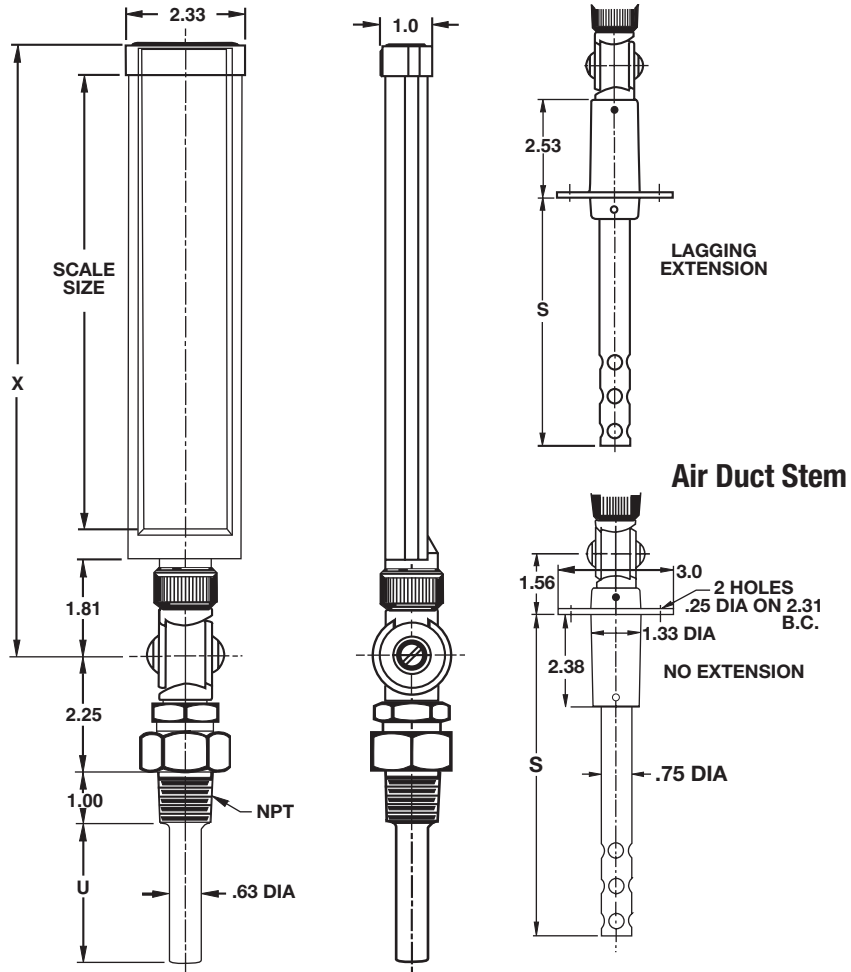
A	U	Q	BRASS	304 SS	316 SS
4	2½	—	S3B4	S3G4	S3J4
6	4½	¾	S3B6	S3G6	S3J6
9	7½	¾	S3B9	S3G9	S3J9
12	10½	¾	S3B2	S3G2	S3J2

Brass wells are not recommended for installations involving high pressures and/or temperatures over 400°F. Brass cap and chain available to keep bore clean when not in use. .260" bore standard. If .385" bore is required:
 (1) Add the letter K at the end of the catalog no.;
 (2) "Q" diameter is changed to 49/64" along entire length of insertion ("U" dimension).
 For pressure – temperature rating use Table 1 on page 89.

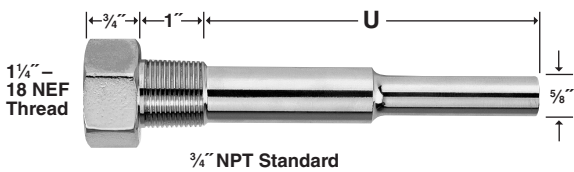
NOTE: 2½" STEM THERMOMETERS USE SPECIAL LIMITED SPACE WELLS.



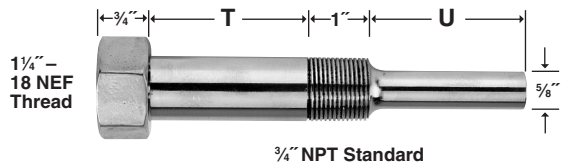
**Adjust Angle and Air Duct
Thermometer
General Dimensions**



THERMOWELLS FOR ADJUST ANGLE THERMOMETERS



THERMOMETER STEM LENGTH	"U" DIM.	3/4 NPT BRASS
3 1/2"	2 1/2"	G1E3D2
6"	5"	G1M3D2
9"	8"	G1S3D2
12"	11"	G1T3D2



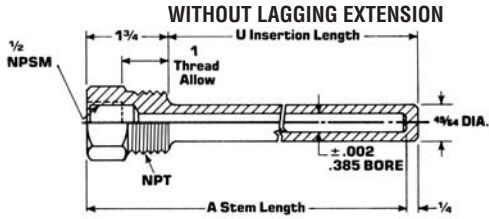
THERMOMETER STEM LENGTH	"T" DIM.	"U" DIM.	3/4 NPT BRASS
3 1/2"	1	1 1/2"	G1E3D2B
6"	2 1/2"	2 1/2"	G1M3D2E
9"	2 1/2"	5 1/2"	G1S3D2E
12"	2 1/2"	8 1/2"	G1T3D2E



Gas Actuated Thermometers – Thermowells

“K” SERIES THERMOWELLS

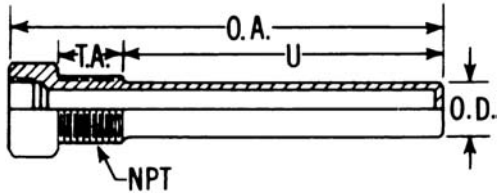
(Fits 3/8" O.D. Bulb with 1/2" NPSM Swivel Nut)



PART NUMBERS – 3/4 NPT				
A	U	BRASS	304 SS	316 SS
4	2 1/2	S3B4K	S3G4K	S3J4K
6	4 1/2	S3B6K	S3G6K	S3J6K

“5F” SERIES THERMOWELL

(Fits 3/8" O.D. Bulb with 1-20 NEF-2B Swivel Nut)



PART NUMBERS – 3/4 NPT**				
O.A. LENGTH	U DIM.	BRASS	304 SS	316 SS
4 1/4	2 1/2	D1E5F2	D6E5F2	D4E5F2
6 3/4	5	D1M5F2	D6M5F2	D4M5F2