

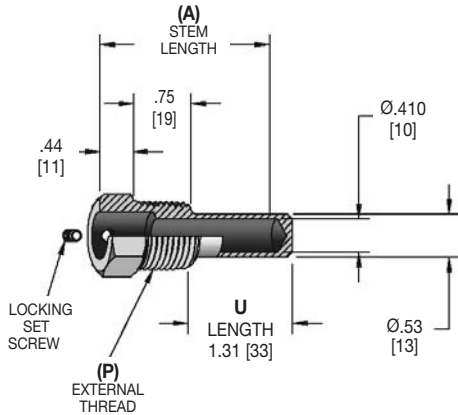
Thermowells

for **4350 Econo** Thermometers

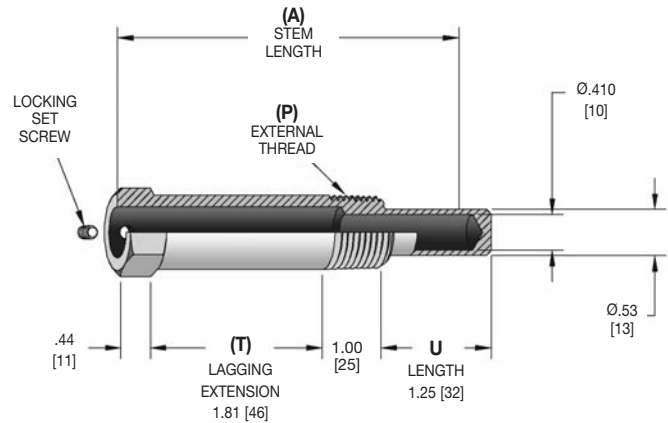
All dimensions are nominal.
Dimensions in [] are in millimeters.

THERMOWELLS

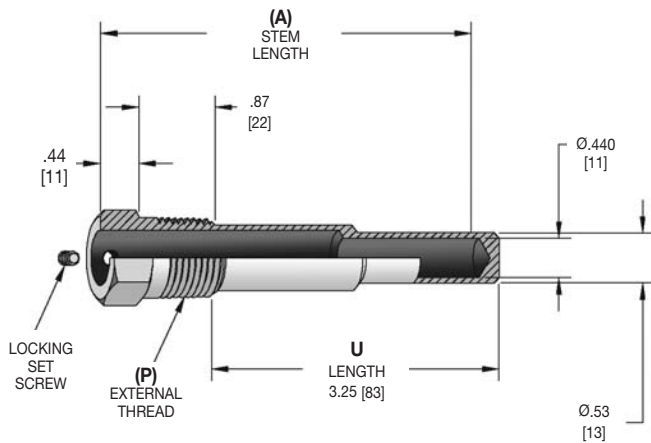
Standard 2" Stem Length



with Lagging Extension 4" Stem Length



Standard 4" Stem Length



Pressure Rating (psi)

Material	Operating Temperature			
	70°F	200°F	400°F	600°F
Brass	700	625	125	—
Carbon Steel	920	890	820	740
304 Stainless Steel	1230	1190	940	840
316 Stainless Steel	1230	1230	1120	1030

Alternative materials and accessories are also available. Please consult the Options and Accessories Section for details.

Selection of the proper thermowell is the sole responsibility of the user. Temperature and pressure limitations must be considered. Improper application may cause failure of the thermowell, resulting in possible personal injury or property damage.

HOW TO ORDER

Sample Order Number: **3-3 C 6**

Thermowell Style	(P) External Thread	(A) Stem Length	(T) Lagging Extension	Material
3- Econo	3 1/2 NPT	C 2" Stem	C 1 3/4 Extension (4" Stem only) Omit if None	2 Brass
	4 3/4 NPT	G 4" Stem		3 Steel
				5 304SS
				6 316SS