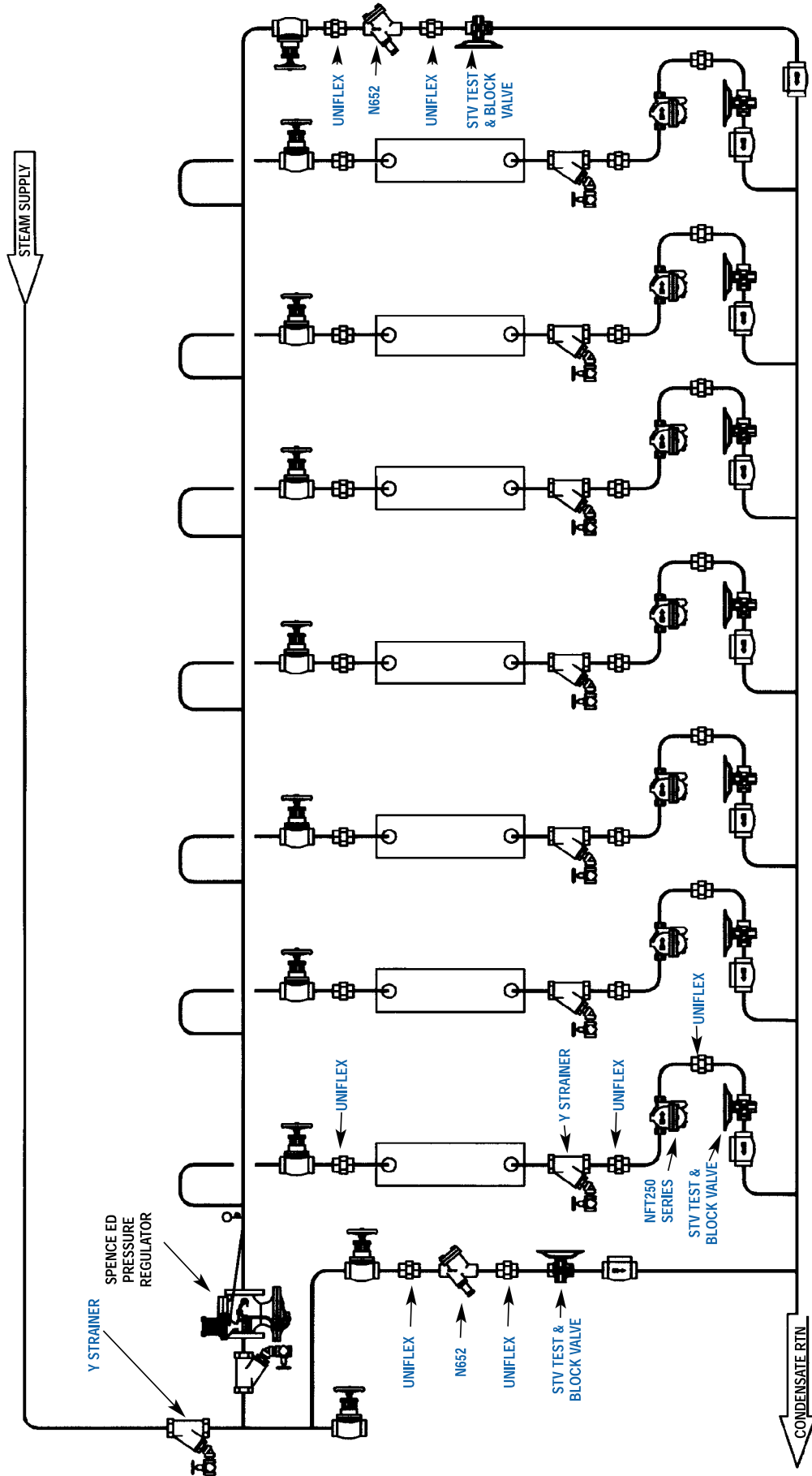


APPLICATION DRAWINGS

This section contains drawings of typical industrial applications. Nicholson products have been highlighted to help illustrate their use and emphasize appropriate configurations. Although specific model traps have been called out, please understand that these are not necessarily the only choice. A N450, N650, or possibly a N125 could replace a TA or a FTN, Dura-Flo, or industrial thermostatic trap could replace a NFT. These decisions must be based on customer preference, system pressure and design and competitive influences. The following points should also guide trap selection:

- Appropriate length of cooling leg when specifying thermostatic traps.
- Specify SLR option when condensate must be lifted before trap.
- Trap capacity reduction due to return line back pressure.
- Matching not only capacity requirements but also pressure when selecting orifices for mechanical traps
- Being aware of air venting needs.
- Consider upstream controls such as temperature regulators that may vary pressure.
- Thermostatic traps used as air vents should utilize ISO fill and $\frac{5}{16}$ " orifices.

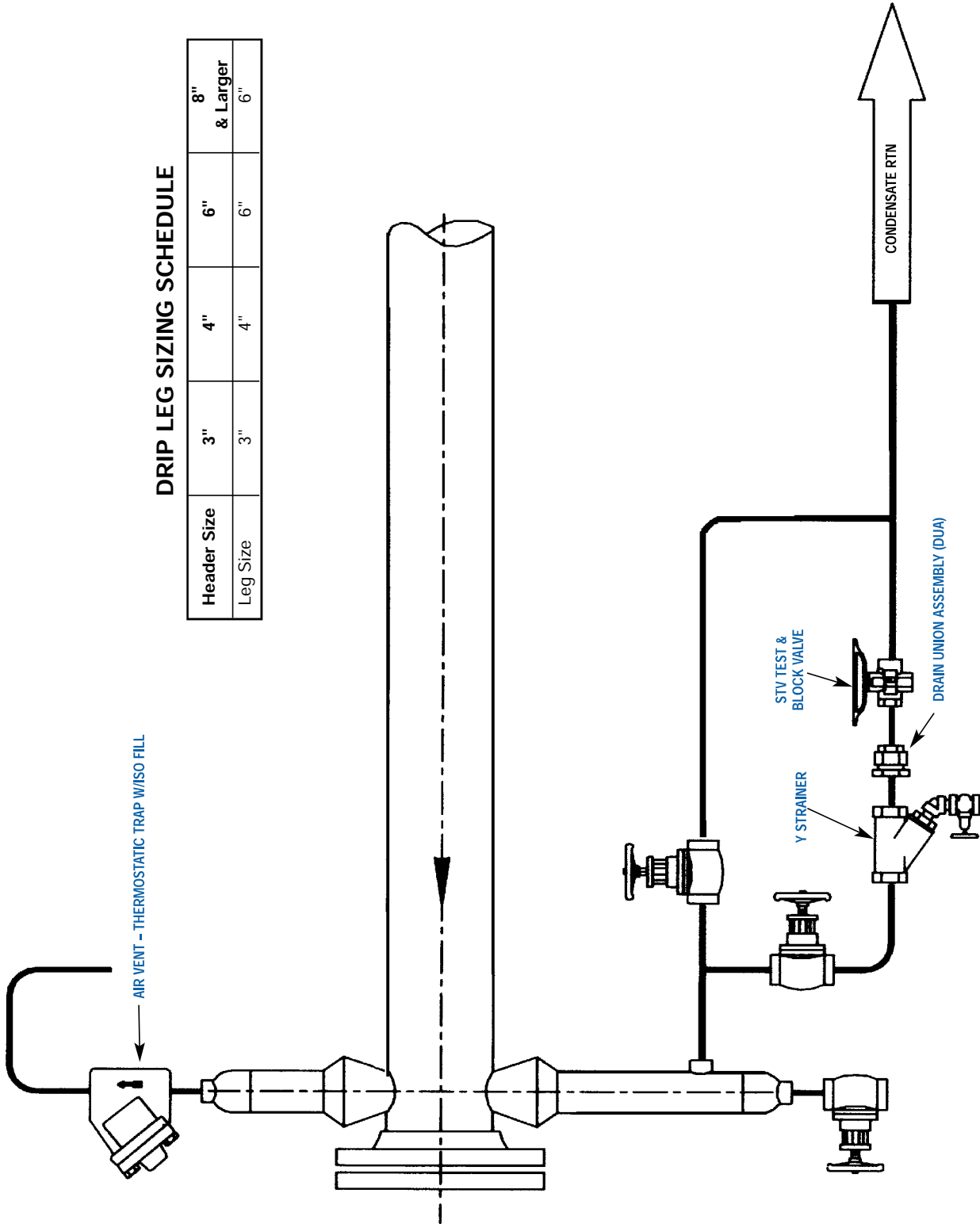
OVEN HEATING COILS



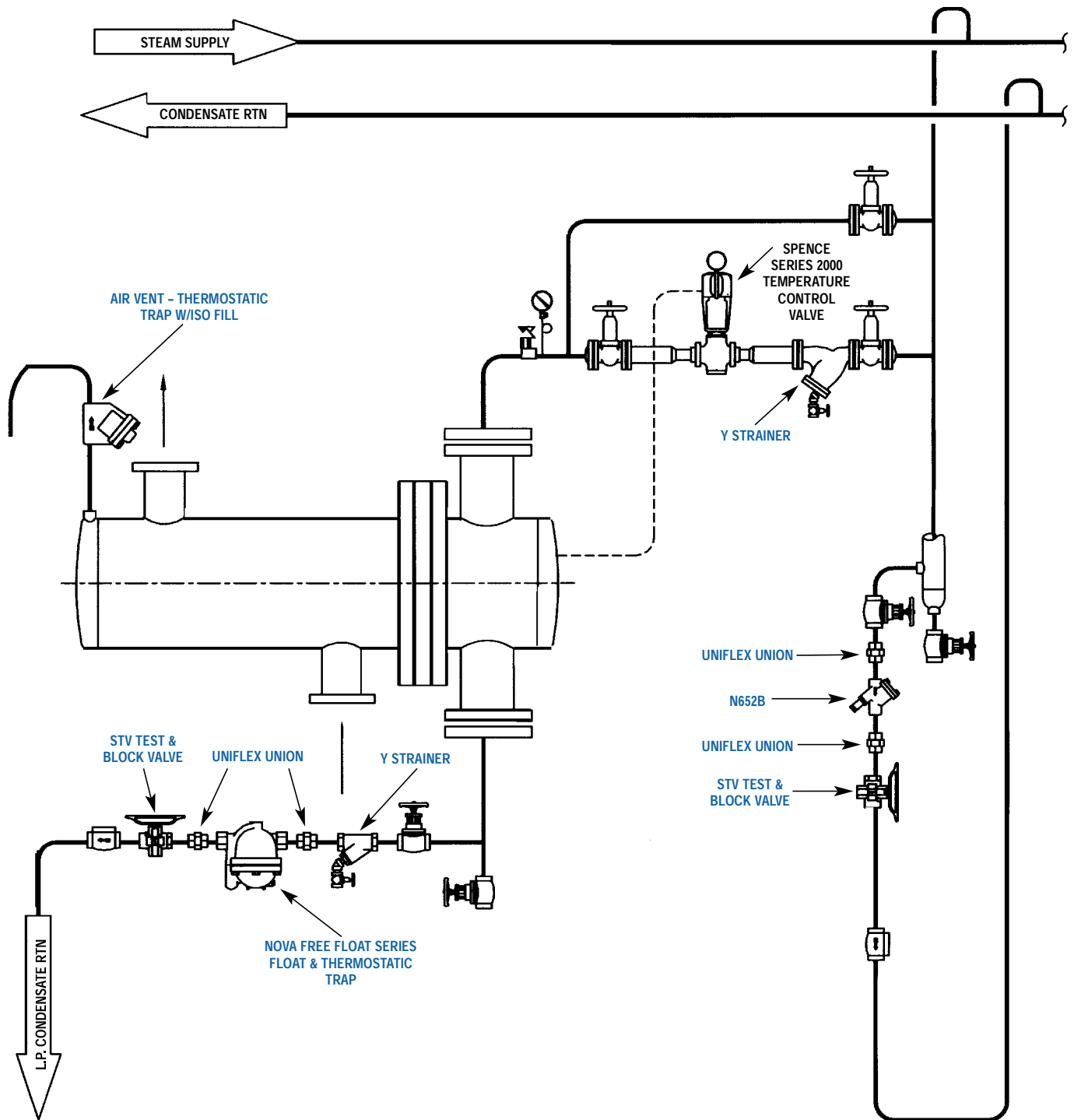
DRIP LEG/END OF MAIN LEG

DRIP LEG SIZING SCHEDULE

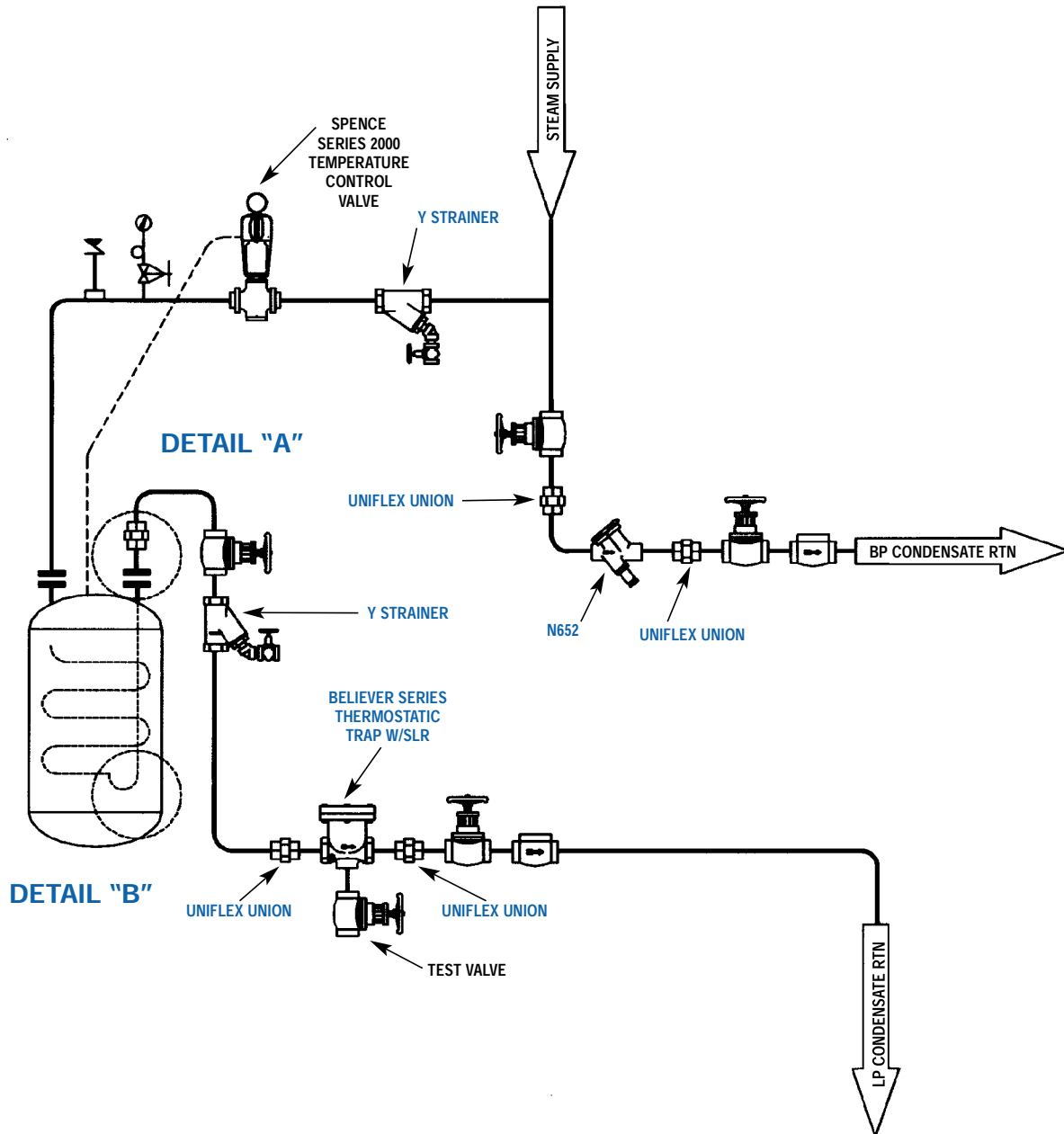
Header Size	3"	4"	6"	8" & Larger
Leg Size	3"	4"	6"	6"



SHELL & TUBE HEAT EXCHANGER



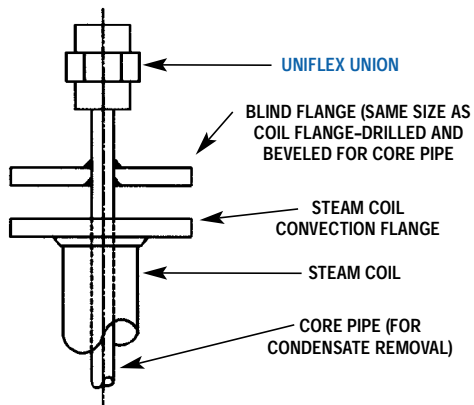
VESSEL WITH STEAM COIL OUTLET AT TOP



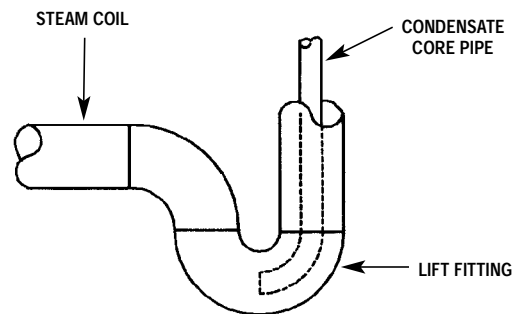
DETAIL "A"

DETAIL "B"

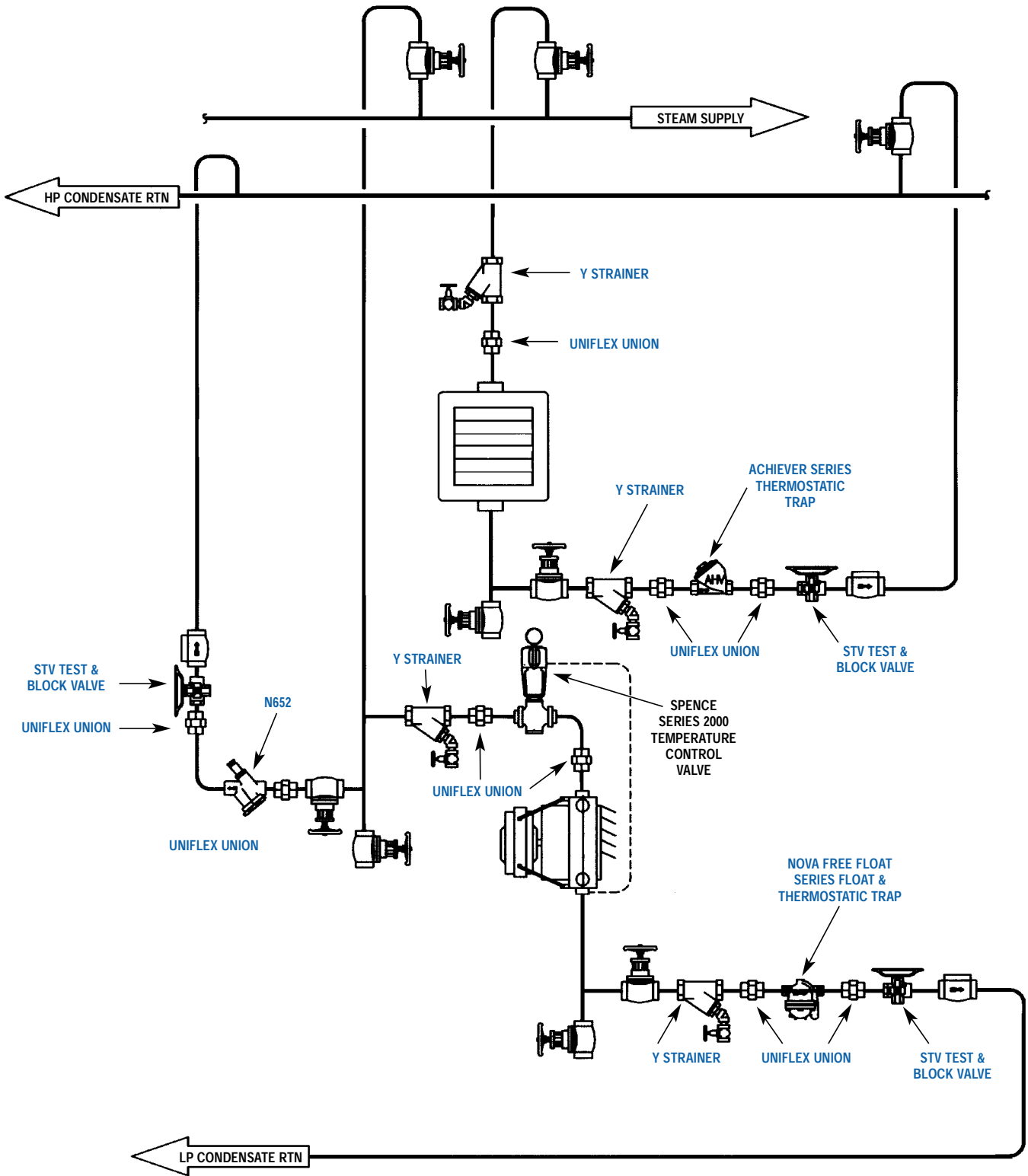
DETAIL "A"



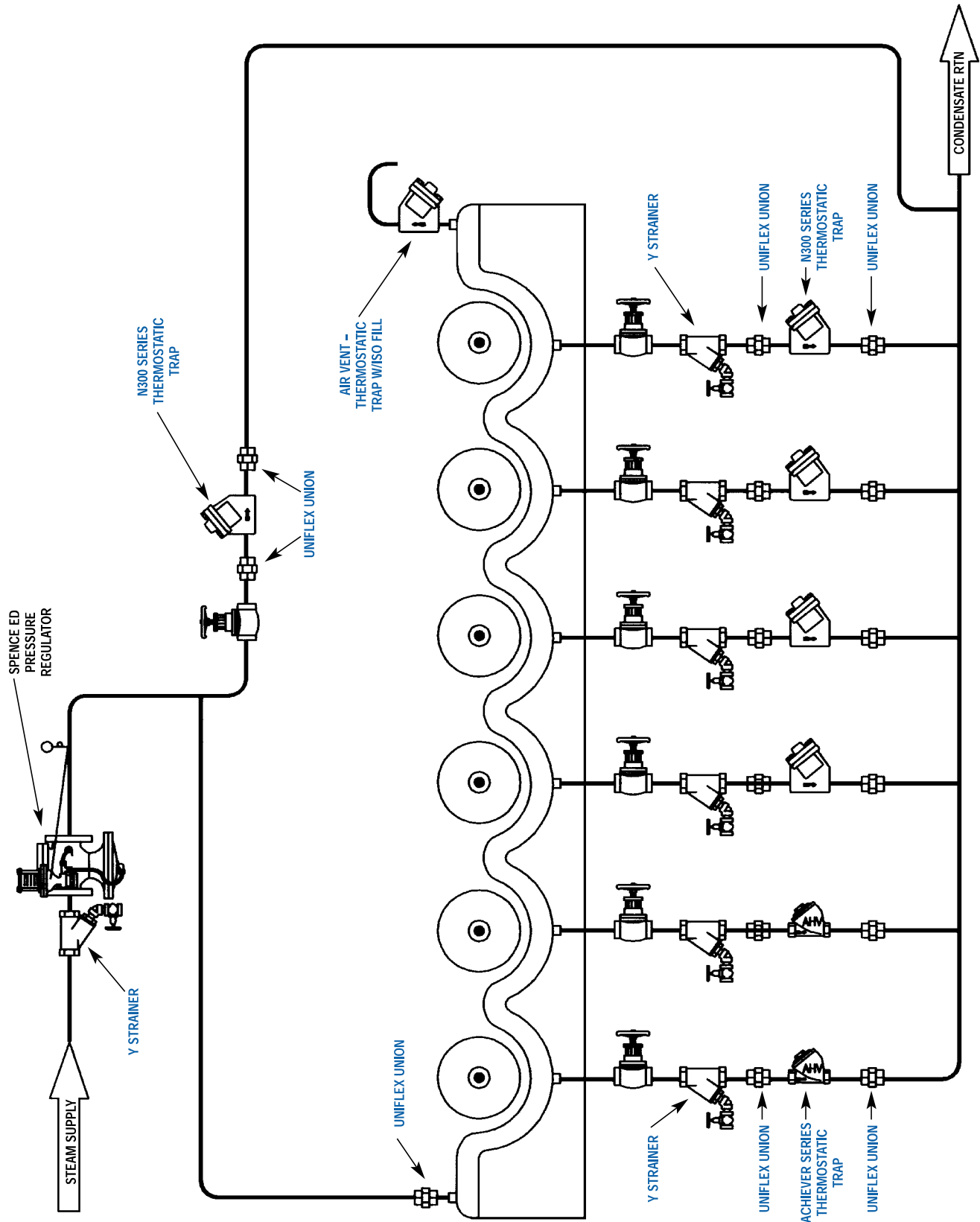
DETAIL "B"



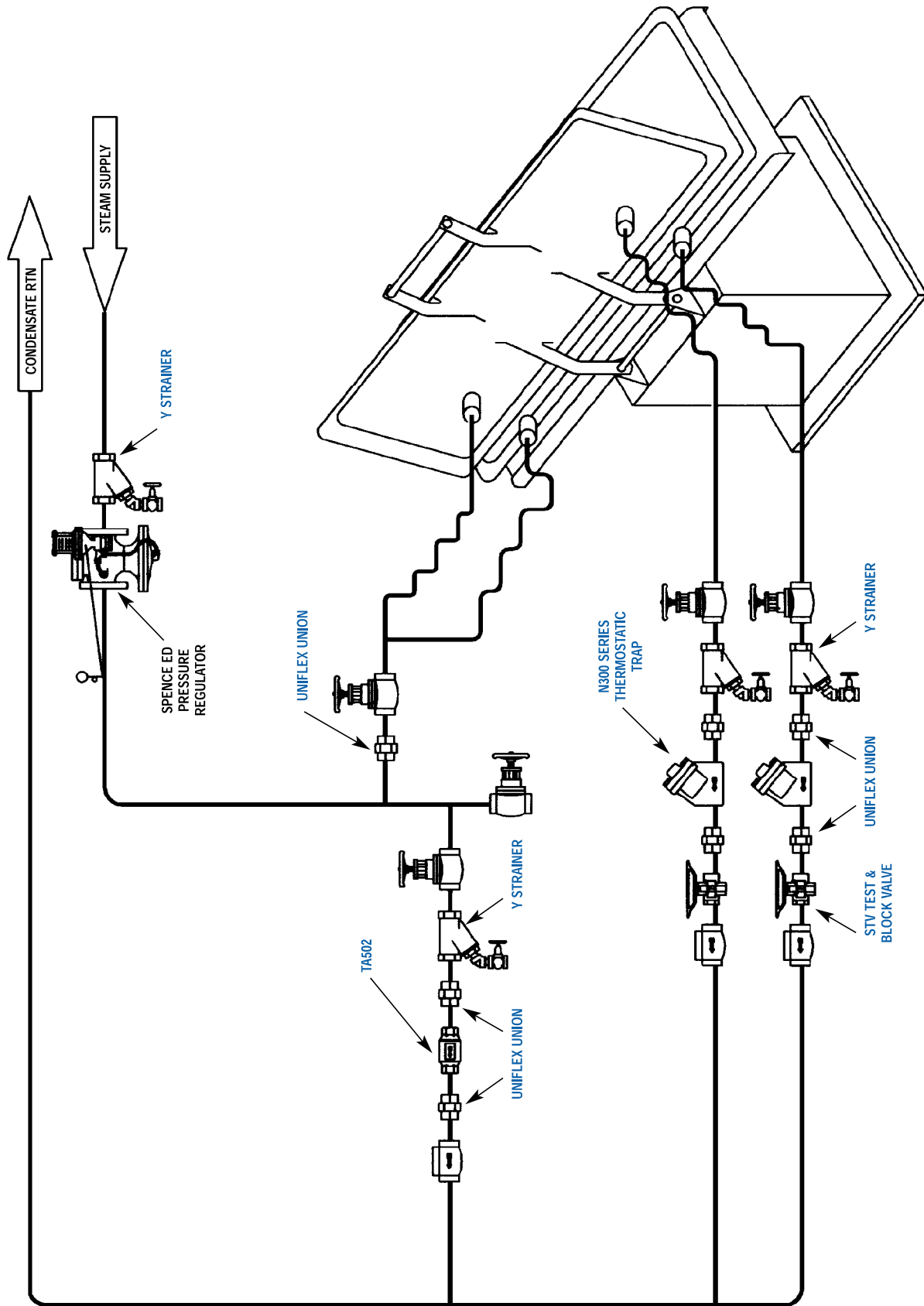
UNIT HEATER



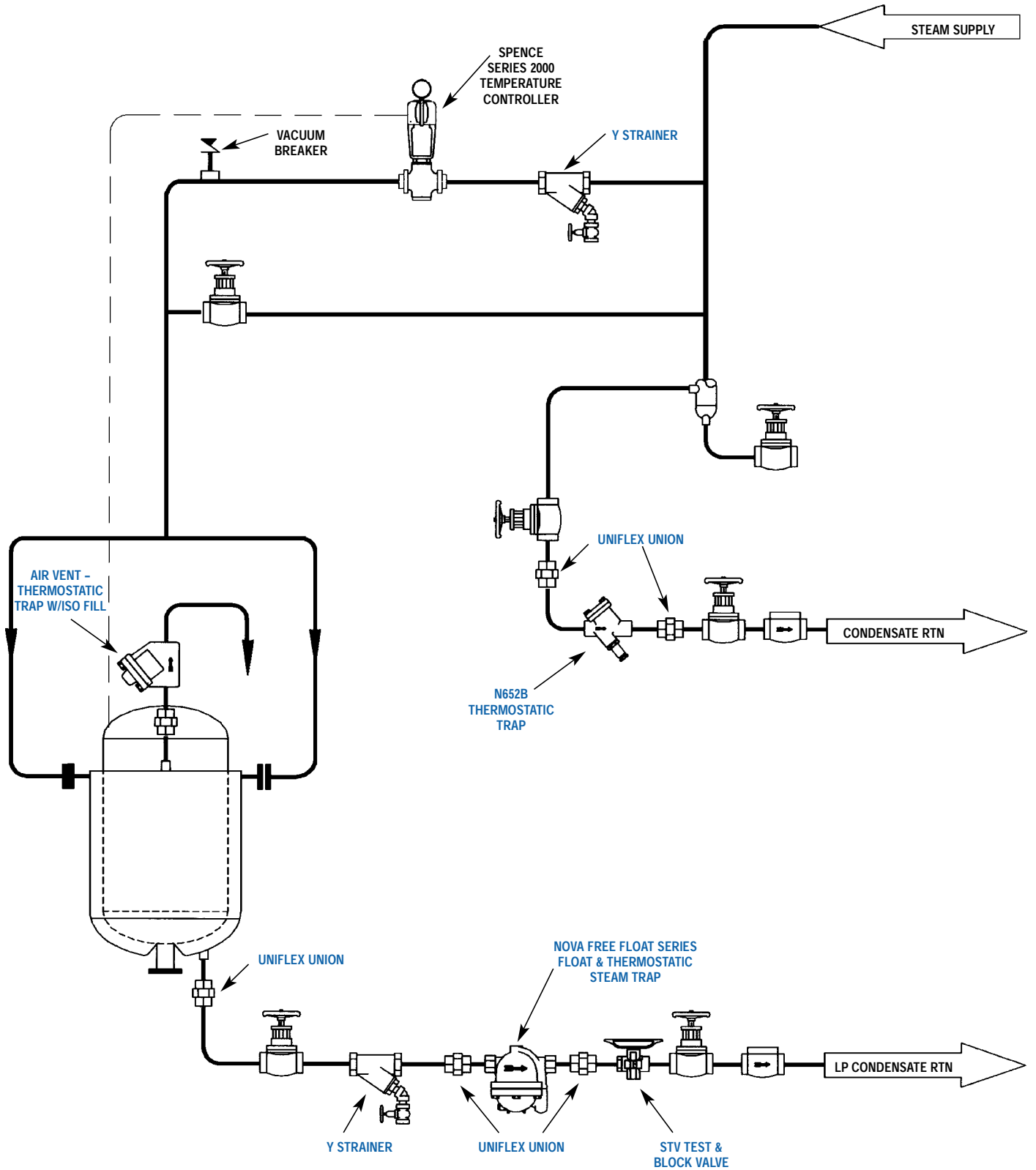
FLAT WORK IRONER



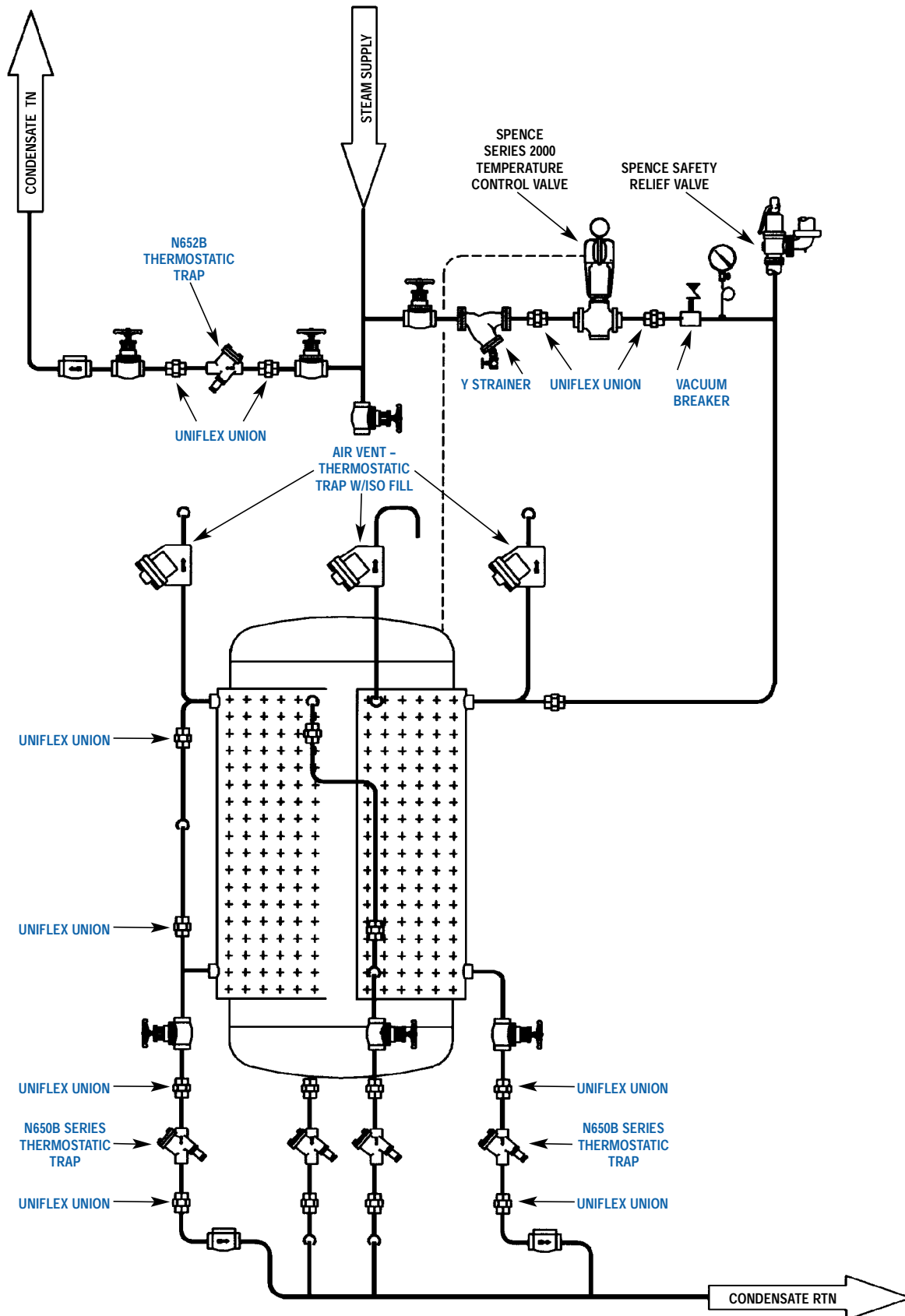
STEAM PRESS



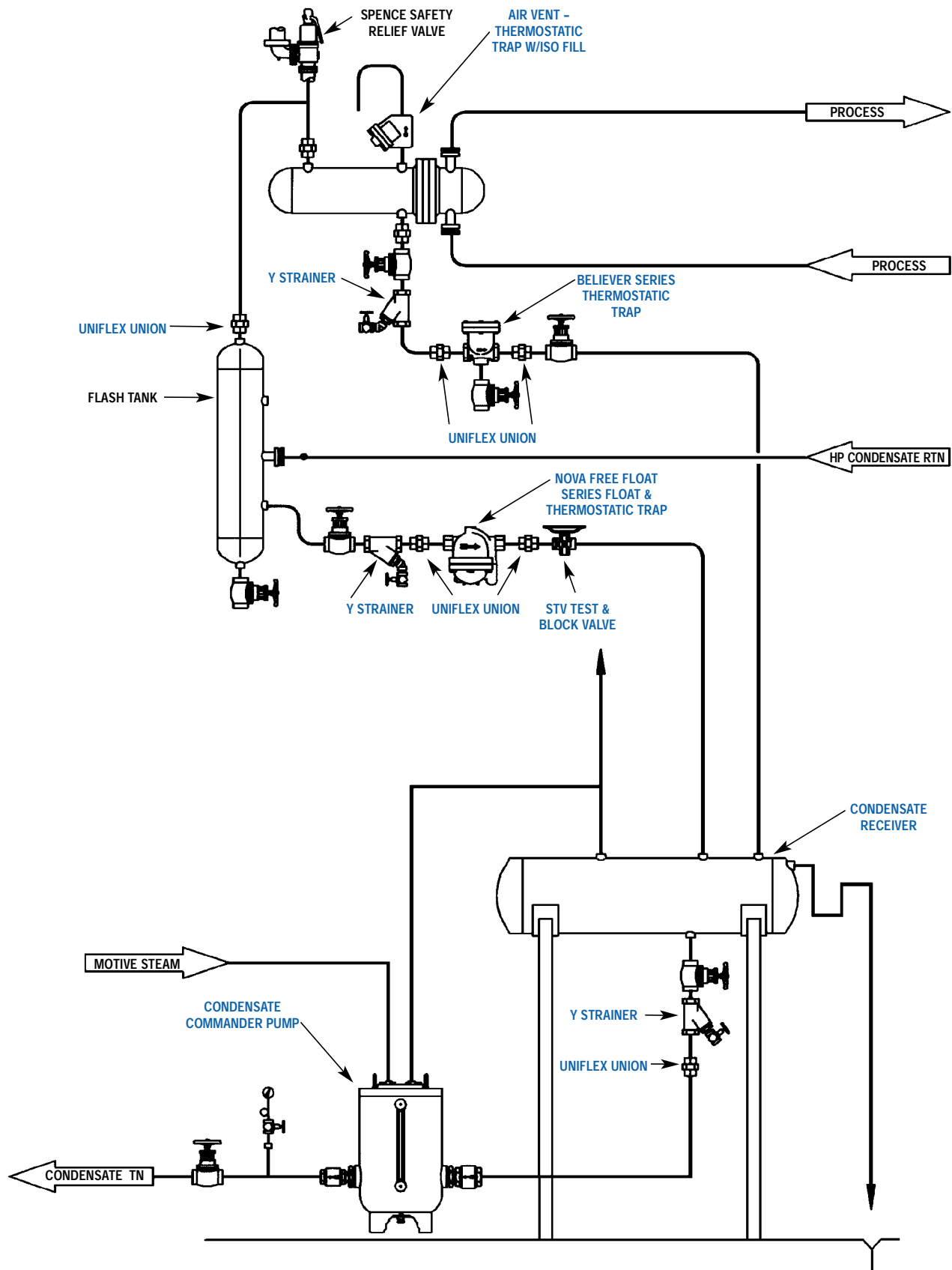
JACKETED PRESSURE VESSEL



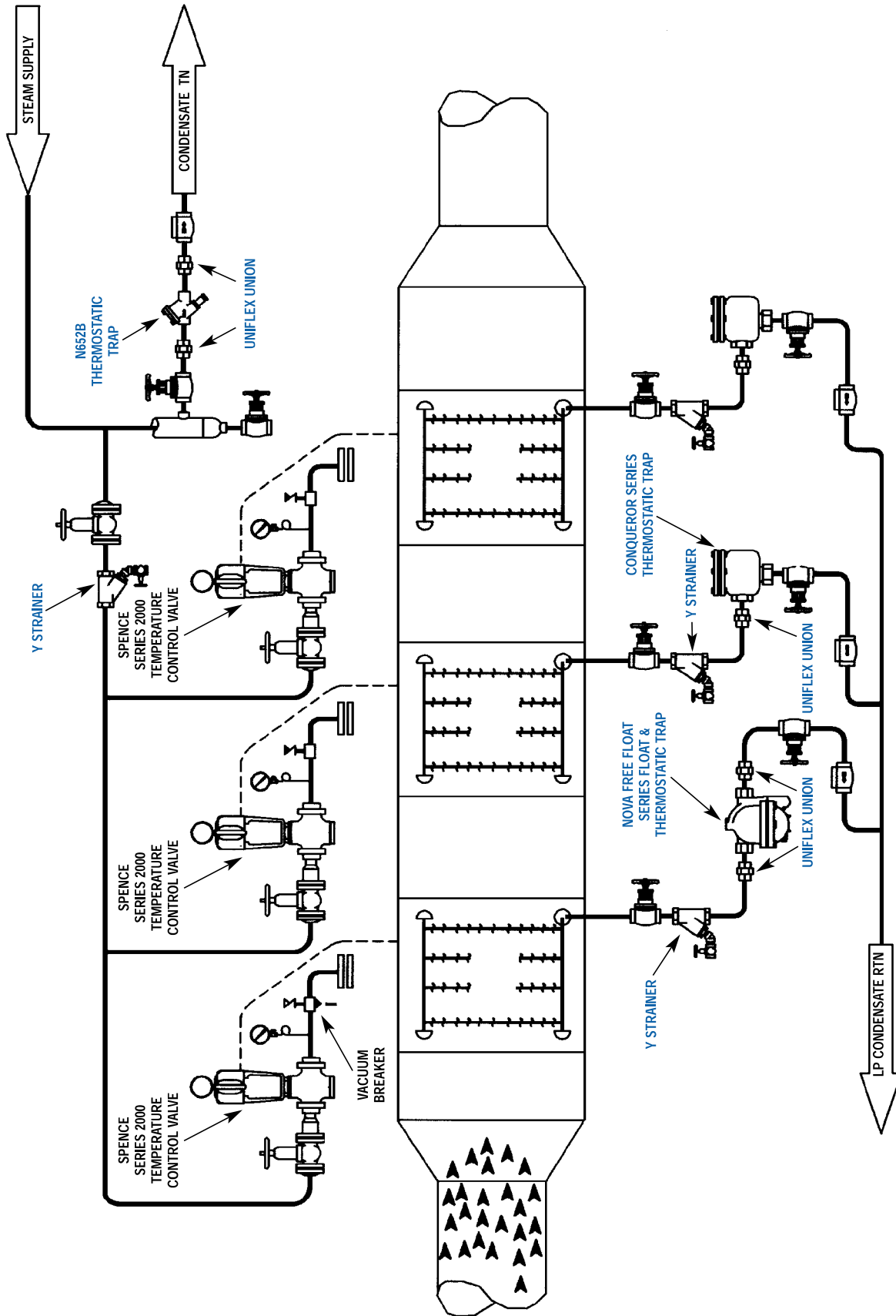
PRESSURE VESSEL WITH DIMPLE JACKET



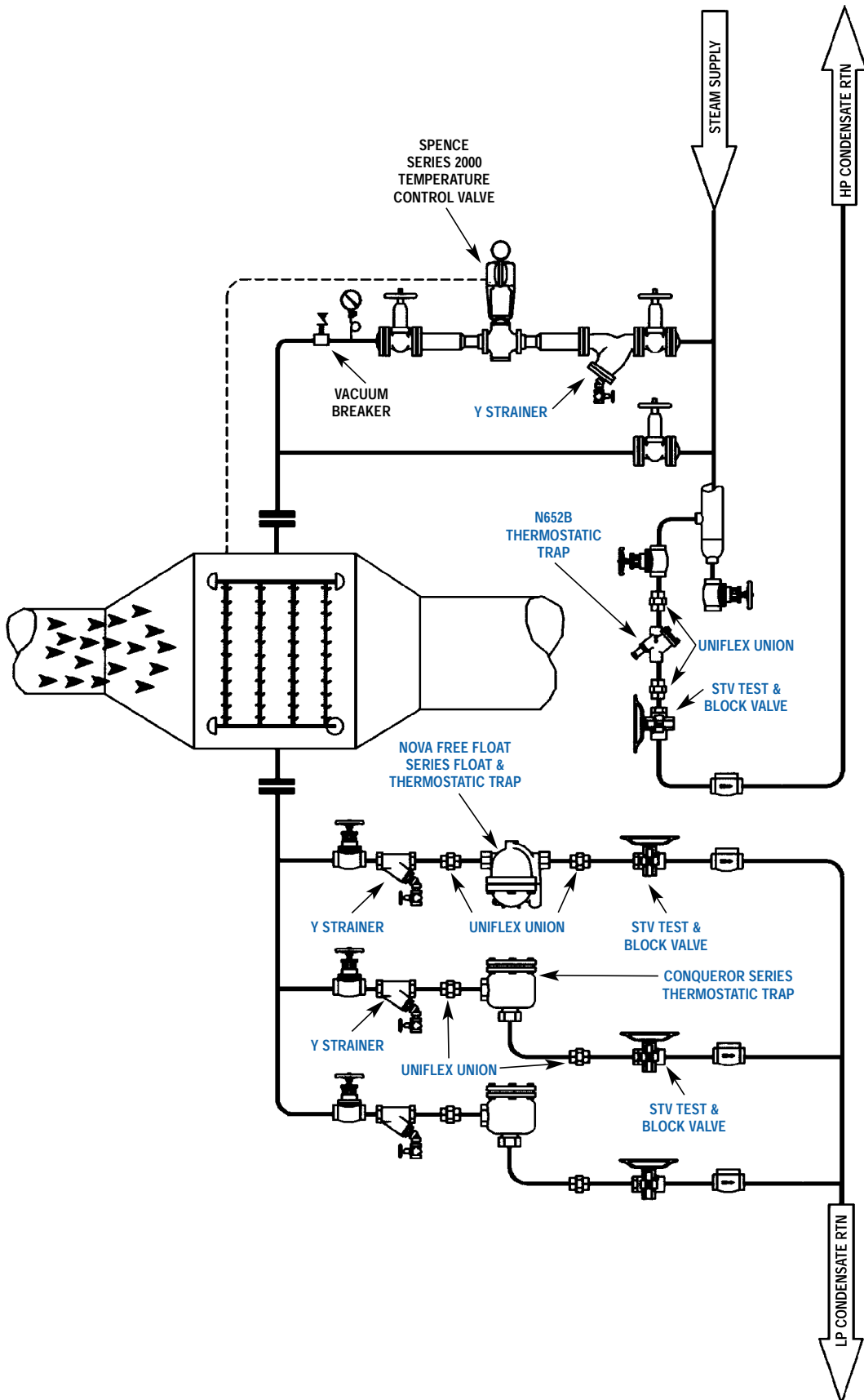
FLASH TANK WITH CONDENSATE BOOSTER PUMP



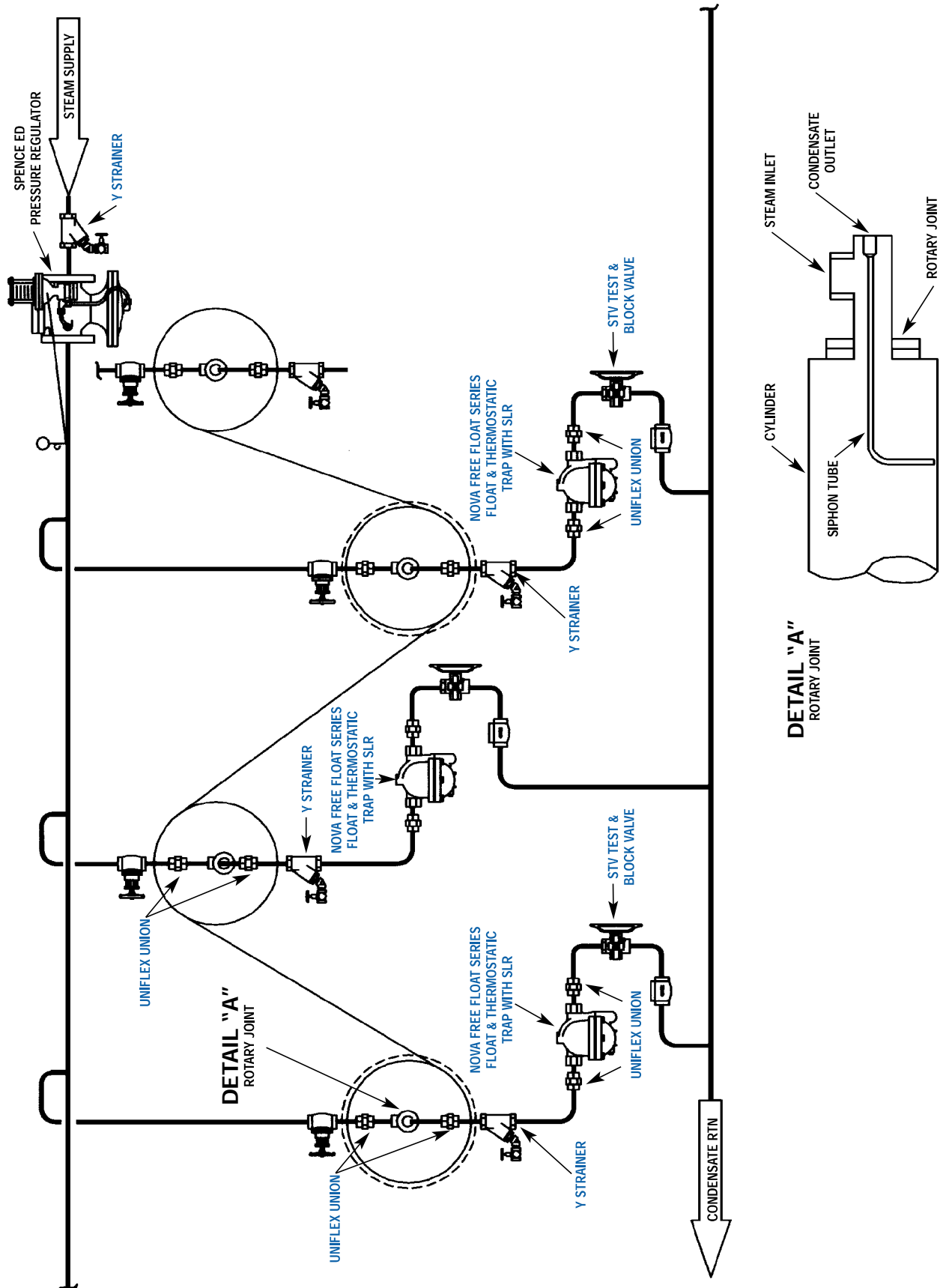
MULTI-COIL AIR HANDLER



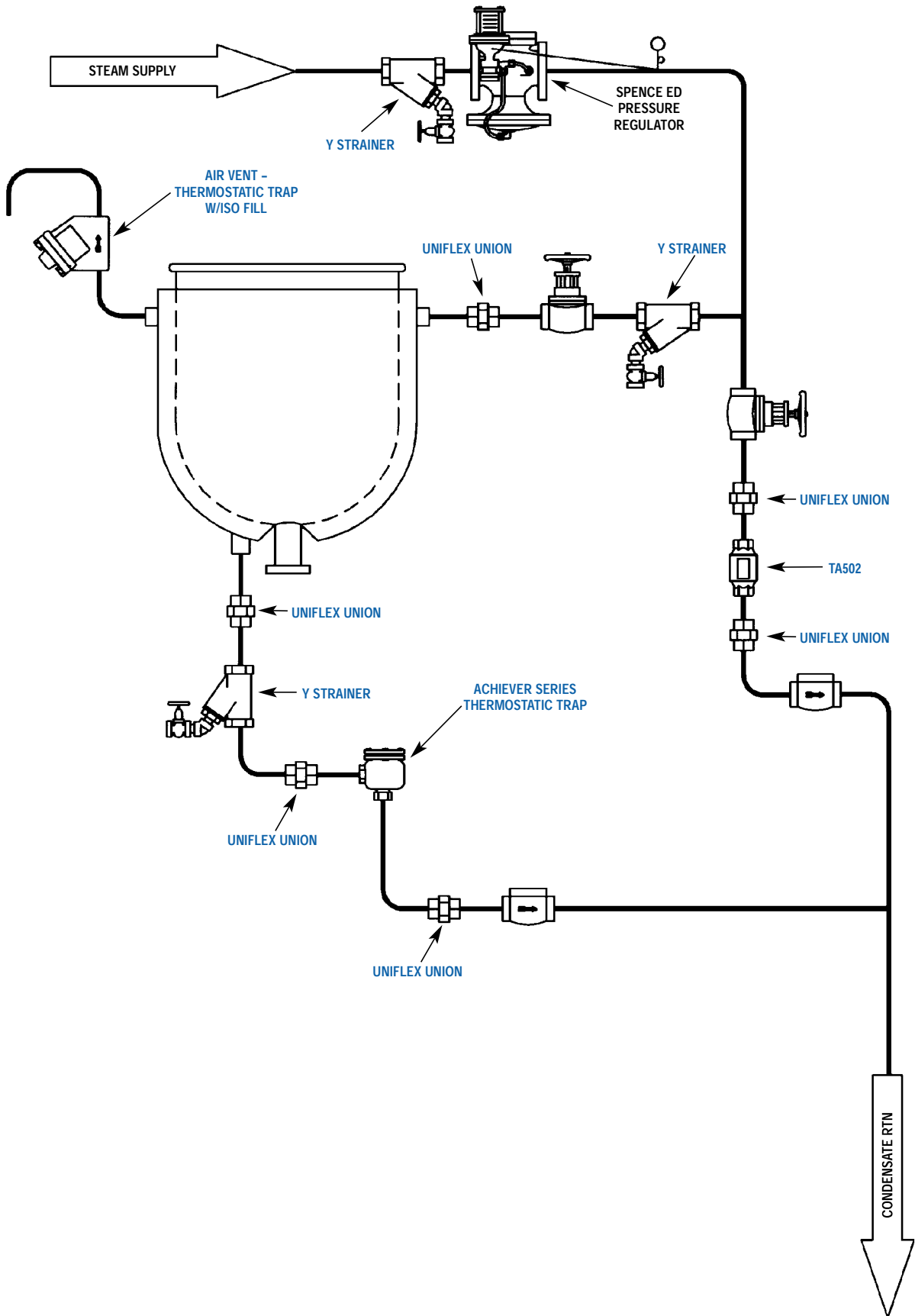
HIGH PRESSURE AIR COIL



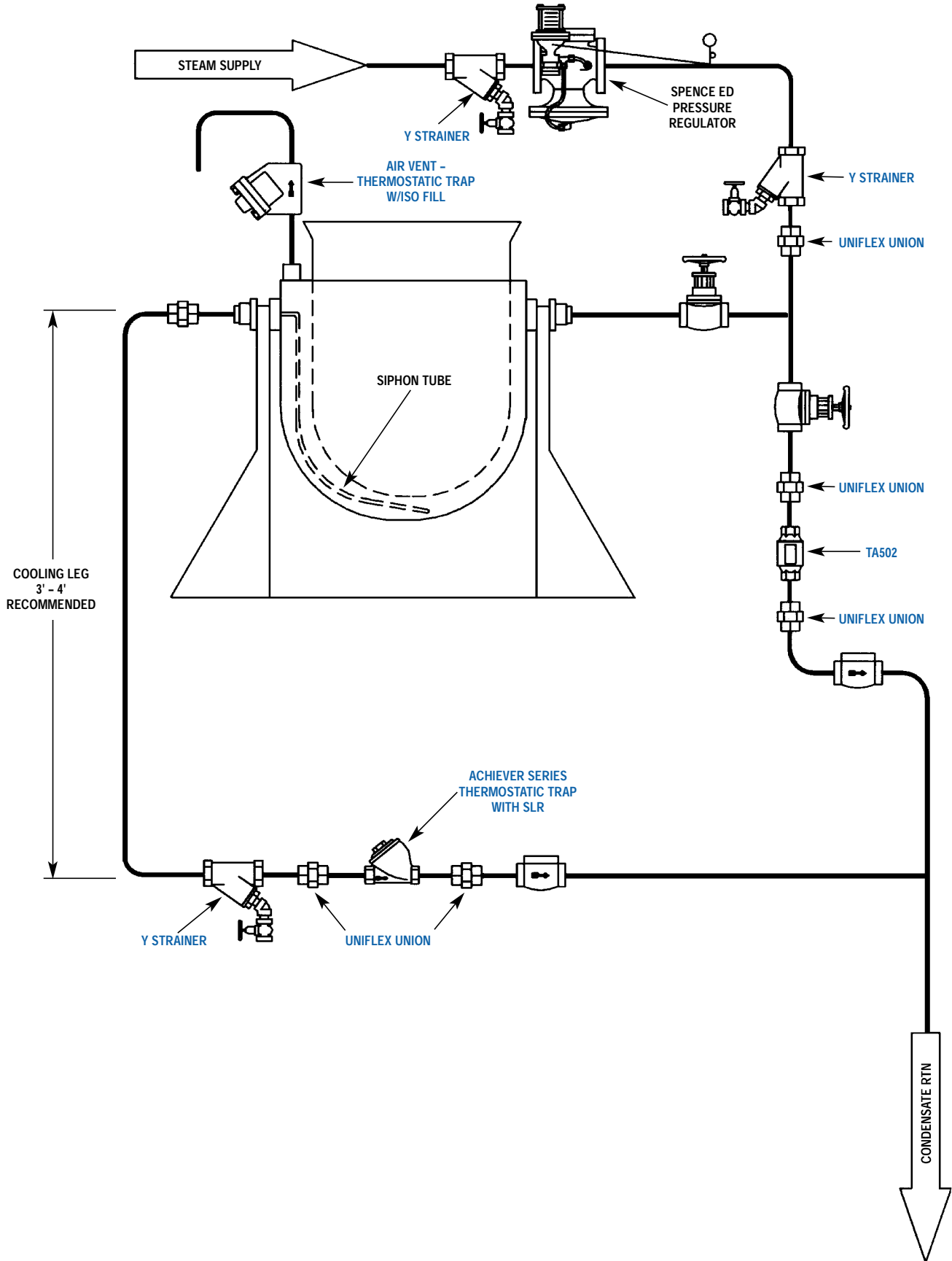
DRY CAN/CALENDER ROLL



JACKETED KETTLE



TILTING JACKETED KETTLE



DOMESTIC HOT WATER

