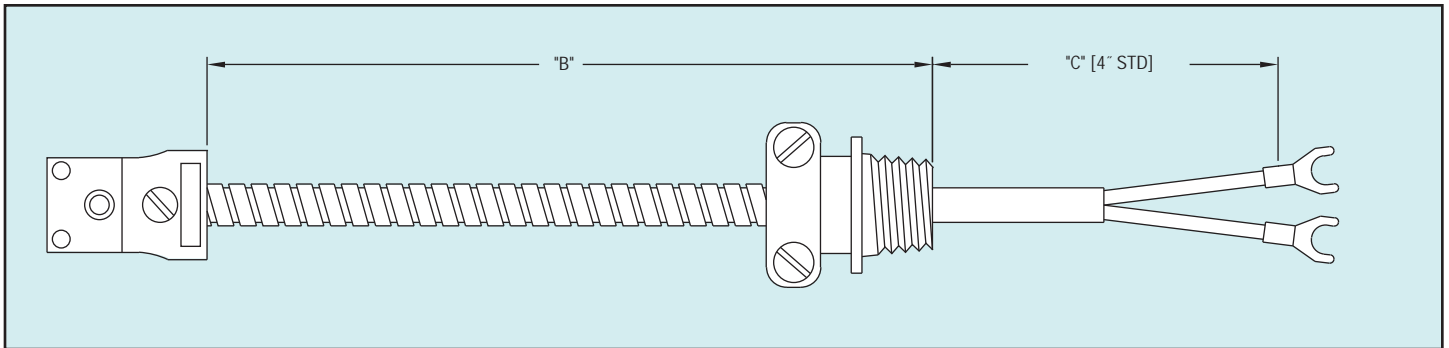




# Extension Cables

Flexible extension cables are available with a variety of terminations.



### Model Coding

Fill in the appropriate numbers or letters to specify the extension cable of your choice. Fill in all boxes. If an item or dimension does not apply, fill those boxes with zeros '0'.

<p><b>EC-</b></p> <p>SENSOR TYPE                  J (T/C)                  K (T/C)                  E (T/C)                  T (T/C)                  2 (2-Wire RTD)                  3 (3-Wire RTD)</p> <p>EXTENSION TYPE                  0 - No Extension                  1 - Fiberglass                  Insulation                  3 - Stainless Steel                  Overbraid                  4 - FEP Insulation                  5 - Stainless Steel Flex                  Hose                  6 - FEP over SS Flex                  Hose</p>	<p>TERMINAL #1                  0 - Stripped Ends                  1 - Lugs                  2 - Lugs with BX                  3 - Standard Plug                  4 - Standard Jack                  6 - Mini Plug                  7 - Mini Jack                  9 - Fastabs                  A - Fastabs with BX</p>	<p>TERMINAL #2                  0 - Stripped Ends                  1 - Lugs                  2 - Lugs with BX                  3 - Standard Plug                  4 - Standard Jack                  6 - Mini Plug                  7 - Mini Jack                  9 - Fastabs                  A - Fastabs with BX</p>	<p>ELEMENTS                  1 - Single                  2 - Dual</p>
<p>B in feet</p>	<p>C Terminal #1 in inches</p>	<p>C Terminal #2 in inches</p>	

TEMPERATURE  
Temperature Sensors