

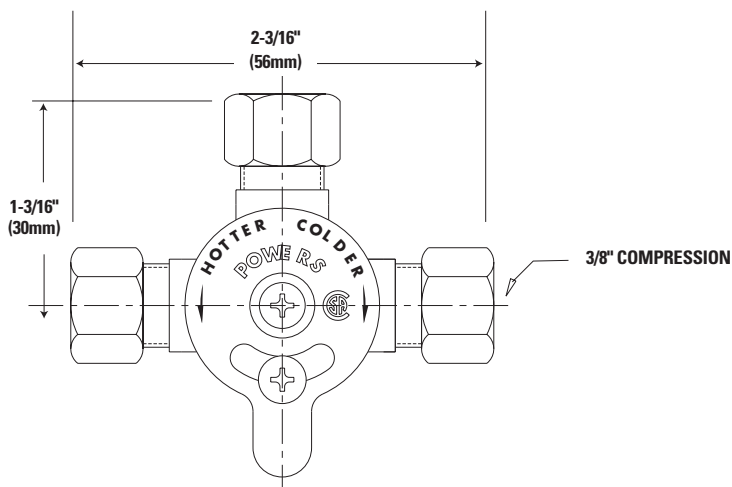
Product Specification

Specifications ■

Description	Under-the-Counter Mixer
Material	Brass
Finish	Chrome Plated
Agency/Spec Approval	CSA B125
Shipping Weight	1.0 lb. (0.5 kg.)
Checks	Integral



Dimensions ■



ENGINEERING APPROVAL

Project: _____
 Contractor: _____
 Architect/Engineer: _____



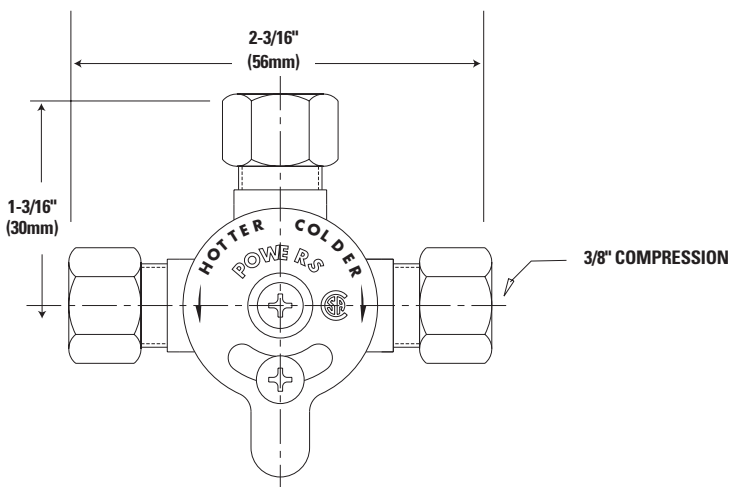
Product Specification

Specifications ■

Description	Under-the-Counter Mixer
Material	Brass
Finish	Chrome Plated
Agency/Spec Approval	CSA B125
Shipping Weight	1.0 lb. (0.5 kg.)
Checks	Integral



Dimensions ■



ENGINEERING APPROVAL

Project: _____
 Contractor: _____
 Architect/Engineer: _____



Product Specification

Specifications ■

Description Under-the-Counter Mixer

Material Brass

Finish Chrome Plated

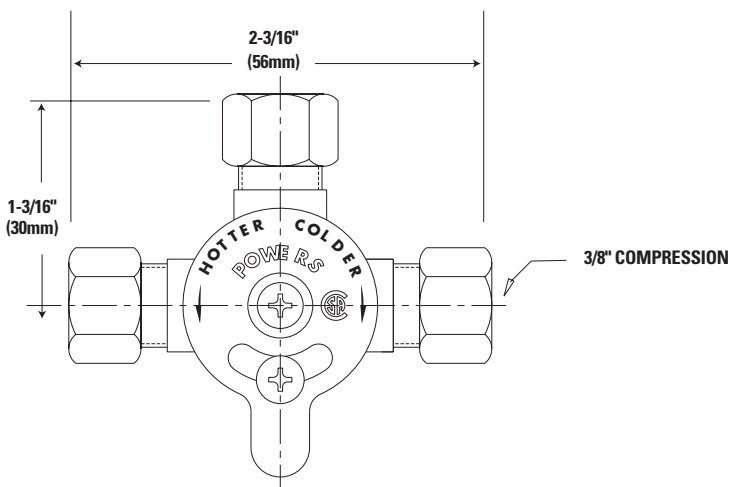
Agency/Spec Approval CSA B125

Shipping Weight 1.0 lb. (0.5 kg.)

Checks Integral



Dimensions ■



ENGINEERING APPROVAL

Project: _____
 Contractor: _____
 Architect/Engineer: _____



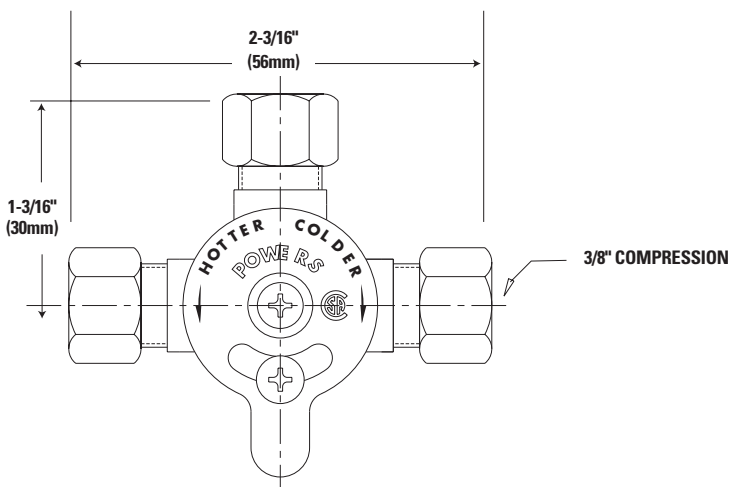
Product Specification

Specifications ■

Description Under-the-Counter Mixer
 Material Brass
 Finish Chrome Plated
 Agency/Spec Approval CSA B125
 Shipping Weight 1.0 lb. (0.5 kg.)
 Checks Integral



Dimensions ■



ENGINEERING APPROVAL

Project: _____
 Contractor: _____
 Architect/Engineer: _____

